

TECHNICAL DATA

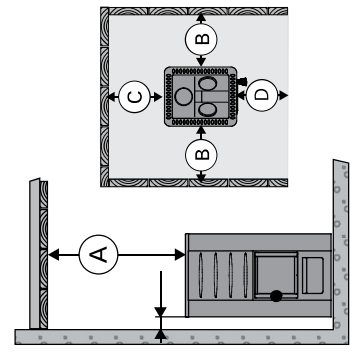
Heater	Product code	Sauna room size min.-max. m ²	Dimensions W x D x H mm	Weight kg	Stone compartment (max. kg l)	Safety distances to combustible materials mm				Sauna room minimum height 2)	Safety distances to burning materials with protective sheath, mm				Smoke outlet diameter, mm	Smoke outlet location, mm			Protective sheath	Protective bedding
						A min	B min	C min	D min		B min	C min	D min	X		Y	Z			
M3	WKPM3	6-13	390 x 430 x 710	45	30	1300	300	300	300	1915 (+60)	80	80	300	115	560	640	120	WL400/WL450	WL100	
16	WKPI6	6-13	420 x 450 x 735	46	36	1300	300	350	400	2035 (+60)	62	62	400	115	560	635	130	WL425/WL475	WL100	
Pro 20	WKP200	8-20	430 x 510 x 760 (+30)	60	40	1300	300	300	300	2060 (+60)	92	92	422	115	560	670	120	WL500/WL550	WL100	
Pro 20 ES	WKP200ES	8-20	430 x 650 x 760 (+30)	75	40	1300	300	300	300	2060 (+60)	92	92	422	115	560	670	120	WL600/WL650	WL100	
Pro 20 LS	WKLI22GLSM	8-20	580 x 510 x 760 (+30)	65	40	1300	300	300	300	2060 (+60)	92	92	422	115	560	670	120	WL500/WL590	WL100	
Pro 20 RS	WKP200RS	8-20	580 x 510 x 760 (+30)	65	40	1300	300	300	300	2060 (+60)	92	92	422	115	560	670	120	WL500/WL590	WL100	
Linear 22 GreenFlame	WKL122GM	9-18	450 x 510 x 770 (+30)	73	40	1265	400	380	500	2035 (+60)	110	110	500	115	558	708	136	WL525/WL575	WL100	
Linear 22 ES GreenFlame	WKL122GESM	9-18	450 x 660 x 770 (+30)	83	40	1265	400	380	500	2035 (+60)	110	110	500	115	558	708	136	WL530/WL580	WL100	
Linear 22 LS GreenFlame	WKP122GLSM	9-18	550 x 510 x 770 (+30)	78	40	1265	400	380	500	2035 (+60)	110	110	500	115	558	708	136	WL525/WL585	WL100	
Linear 22 RS GreenFlame	WKL122GRSM	9-18	550 x 510 x 770 (+30)	78	40	1265	400	380	500	2035 (+60)	110	110	500	115	558	708	136	WL525/WL585	WL100	
Pro 26	WKP260	10-26	430 x 510 x 810 (+30)	65	50	1280	375	375	375	2090 (+60)	103	103	526	115	690	750	130	WL700/WL750	WL100	
Pro 36	WKP360	14-36	510 x 510 x 810 (+30)	70	60	1250	500	500	500	2060 (+60)	120	120	422	115	680	750	130	WL800/WL850	WL100	
Legend 150	WK150LD	6-13	530 x 530 x 740 (+30)	58	120	1000	200	250	500	1740 (+60)	65	65	500	115	560	640	180 ± 5	WL200	WL100	
Legend 240 GreenFlame	WK240LD	10-20	600 x 600 x 830 (+30)	82	200	1200	200	250	630	2035 (+60)	65	65	630	115	560	670	200 ± 5	WL200	WL100	
Legend 300	WK300LD	14-28	600 x 660 x 1040 (+30)	94	260	1000	200	250	680	2040 (+60)	65	65	680	115	560	690	210 ± 5	WL200	WL100	
50	WK500	20-50	510 x 720 x 1050 (+30)	160	120	1250	500	500	500	2250 (+60)	65	65	-	140	890	1090	130	-	-	

Heater	Product code	Sauna room size min.-max. m ²	Dimensions W x D x H mm	Weight kg	Stone compartment (max. kg l)	Safety distances to combustible materials mm				Sauna room minimum height 2)	Safety distances to burning materials with protective sheath, mm				Smoke outlet diameter, mm	Smoke outlet location, mm			Protective sheath	Protective bedding
						A min	B min	C min	D min		B min	C min	D min	X		Y	Z			
M3 SL	WKM3SL	6-13	390 x (430 + 220) x 710 (+30)	50	30	1300	300	300	300	1915 (+60)	300	300	300	115	210	390	150	WL400/WL450	WL100	
Pro 20 SL	WK200SL	8-20	430 x (510 + 220) x 760 (+30)	70	40	1300	300	300	300	2060 (+60)	300	300	300	115	210	390	150	WL500/WL550	WL100	
Pro 20 Duo	WK200SLUX	8-20	430 x (510 + 280) x 760 (+30)	80	40	1300	300	300	300	2060 (+60)	300	300	300	115	405	485	150	WL500/WL550	WL100	
Pro 36 Duo	WK300SLUX	14-36	510 x (510 + 280) x 810 (+30)	80	60	1250	500	500	500	2060 (+60)	500	500	500	115	405	485	150	WL800/WL850	WL100	
Legend 150 SL	WK150LDL	6-13	530 x (530 + 200) x 740 (+30)	62	120	1000	200	250	500	1740 (+60)	200	250	500	115	210	390	150	WL200	WL100	
Legend 240 SL	WK240LDL	10-24	600 x (600 + 180) x 830 (+30)	82	200	1000	200	250	630	1830 (+60)	200	250	630	115	210	390	150	WL200	WL100	
Legend 240 Duo	WK240LDLUX	10-24	600 x (600 + 180) x 830 (+30)	95	200	1000	200	250	630	1830 (+60)	200	250	630	115	405	485	120	WL200	WL100	
Legend 300 Duo	WK300LDLUX	15-30	600 x (660 + 120) x 1040 (+30)	99	260	1000	200	250	700	2040 (+60)	200	250	700	115	405	485	120	WL200	WL100	

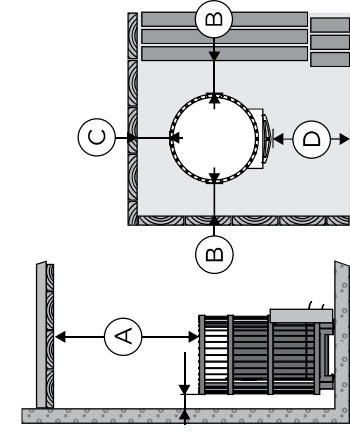
1) The amount of stones the stone compartment can hold varies depending on the consistency and shape of the stones as well as how they are arranged. Harvia recommends stones measuring 10-15 cm in diameter for wood-heated heaters.

2) The heater protective bedding increases the minimum height by about 60 mm.

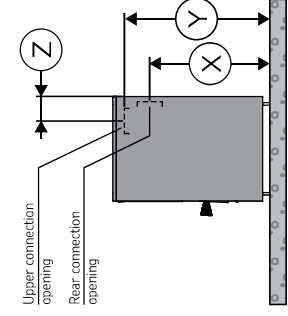
TRADITIONAL HEATERS



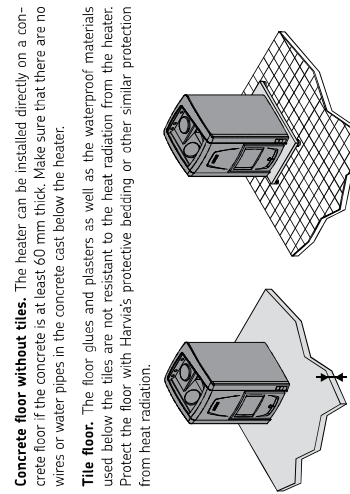
PILLAR HEATERS



CONNECTION OPENINGS



PROTECTING THE FLOOR



Concrete floor without tiles: The heater can be installed directly on a concrete floor if the concrete is at least 60 mm thick. Make sure that there are no wires or water pipes in the concrete cast below the heater.

Tile floor: The floor glues and plasters as well as the waterproof materials used below the tiles are not resistant to the heat radiation from the heater. Protect the floor with Harvia's protective bedding or other similar protection from heat radiation.